



TECEprofil toilet module with Octa II cistern, 8 cm, installation height 1120 mm

Article number: 9300502

DU 1: 1 pc.

DU 2: 10 pc.

Description:

Toilet module including "easy fit" flush plate installation. For fitting to TECEprofil section tubes or for installation in metal or wooden stud walls and as a pre-wall or corner module; also suitable for single block assembly.

Octa II cistern 8 cm, for front actuation:

- Safety tank made of impact-resistant plastic, tested to EN 14055
- Cistern fully pre-assembled and sealed.
- Cistern connection with outer thread R 1/2" at the top, compatible with quick adapters
- 7-litre tank volume; 6-litre pre-set standard flush volume, 4.5-litre flush volume can be set at any time; 3-litre partial flush volume for dual-flush system; optional setting of a 4/2 litre flush volume possible.
- Insulated against condensation water
- for TECE flush plates and toilet flush handle
- can be used as a single or dual-flush cistern
- "easy fit" flush plate installation
- Installation tunnel for service opening, can be shortened without tools
- Low-noise hydraulic filling valve, fitting group 1 according to DIN 4109

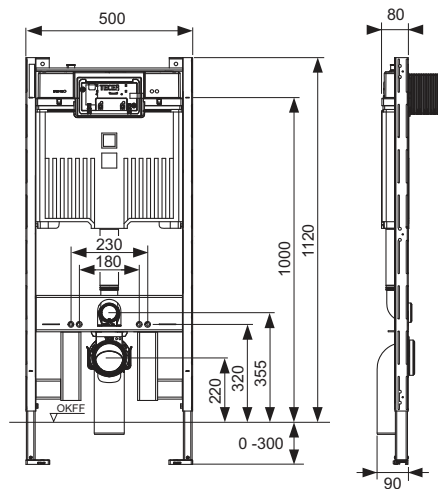
Module frame:

- Self-supporting, powder-coated
- Two M 12 retaining bolts and nuts
- Toilet drain bend DN 90 with joint adapter DN 90/100, made of PP, including protective plug
- Joint adapter also suitable for horizontal installation
- Toilet connection set DN 90
- Suitable for floor projections up to 30 cm
- Ceramics installation spacing 180 mm or 230 mm
- Wall attachment
- Toilet sound insulation set

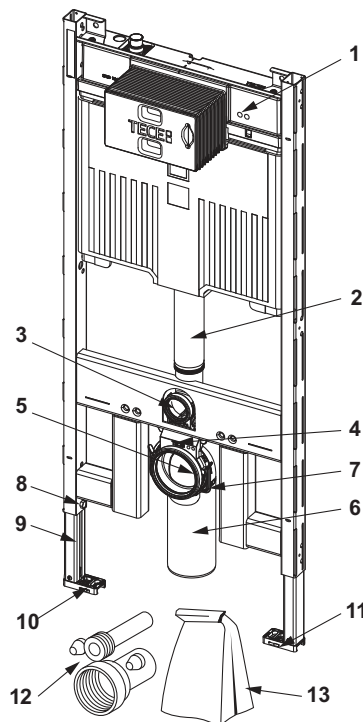
Sales data:

Product name: TECEprofil toilet module with Octa II cistern, installation height 1120 mm
 Commodity group: 905
 Product group: 2009050040

Dimensional drawings:



Spare parts:



- | | | |
|----|---------|---|
| 1 | 9820565 | Cistern Octa II |
| 2 | 9820563 | Flush pipe |
| 3 | 9820015 | Flush pipe seal |
| 4 | 9820145 | Toilet drain bend holder for dry-wall modules, clip-bar |
| 5 | 9820139 | Seal for toilet drain bend/adaptor |
| 6 | 9820150 | Toilet drain bend DN 90/90 PE-HD, for cisterns 8 cm |
| 7 | 9820042 | Bracket for toilet drain bend holder (until 03/2017) |
| 8 | 9820447 | Foot brake with steel spring |
| 9 | 9820567 | C profile long for module foot |
| 10 | 9820332 | Module foot with toggle left |
| 11 | 9820333 | Module foot with toggle right |
| 12 | 9820057 | Connection set DN 90 for toilet |
| 13 | 9820147 | By-pack for toilet module with Octa cistern, 8 cm (mounting material, etc.) |